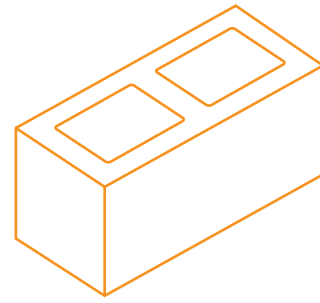


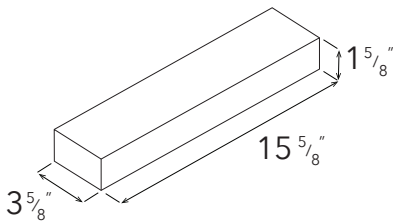
Common Concrete Masonry Unit Shapes and Sizes

Organized by height of block.

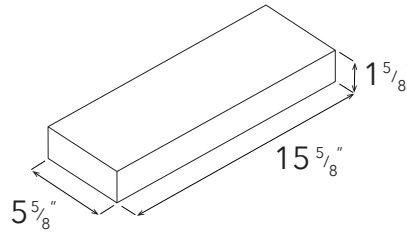


*Block is measured
Width x Height x Length
and listed in nominal size.*

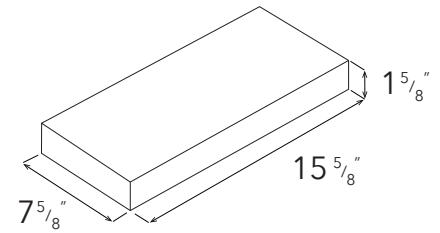
2" High



**4x2x16
Block Cap**

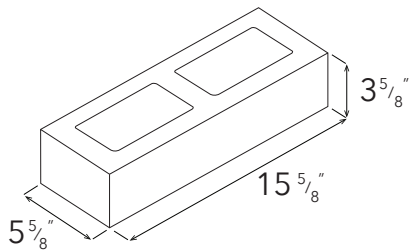


**6x2x16
Block Cap**

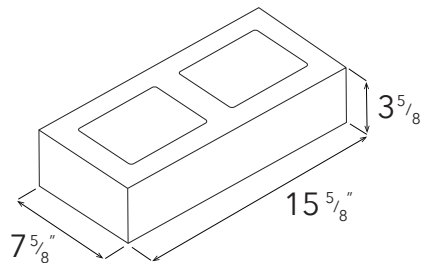


**8x2x16
Block Cap**

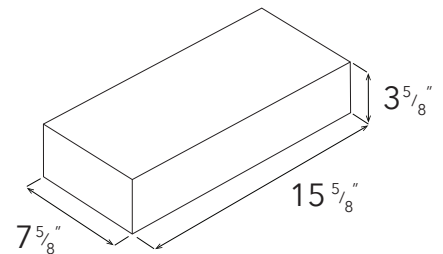
4" High



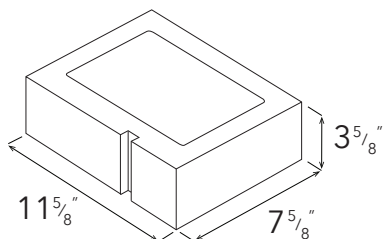
**6x4x16
Block**



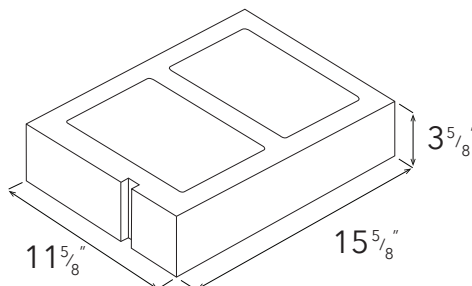
**8x4x16
Block**



**8x4x16
Solid**

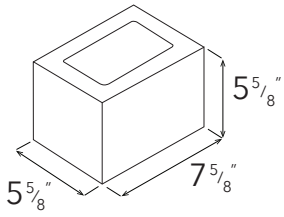


**12x4x8
Half Block**

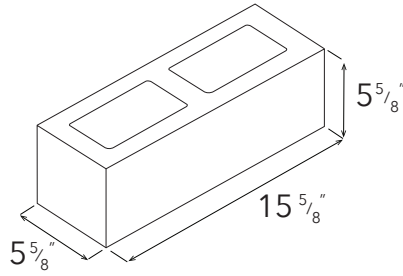


**12x4x16
Block**

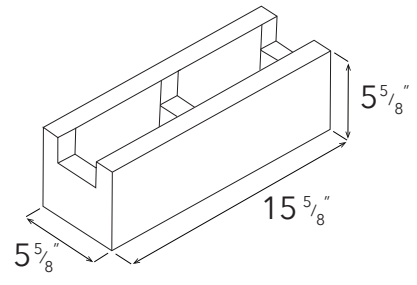
6" High



**6x6x8
Half Block**

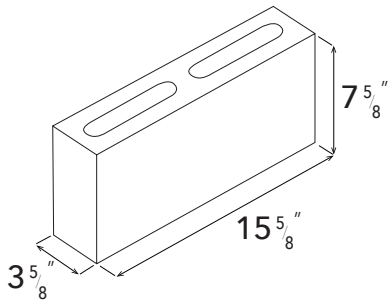


**6x6x16
Block**

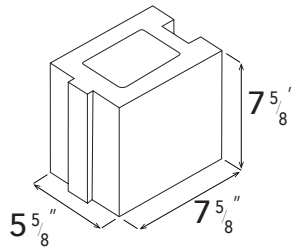


**6x6x16
Bond Beam
Block**

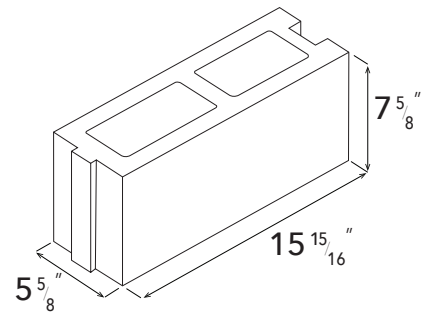
8" High



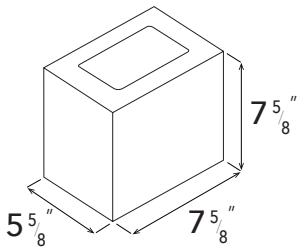
**4x8x16
Partition Block**



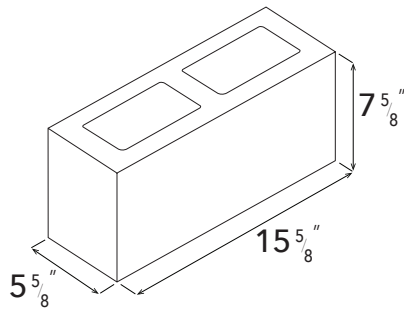
**6x8x8
Interlock Block**



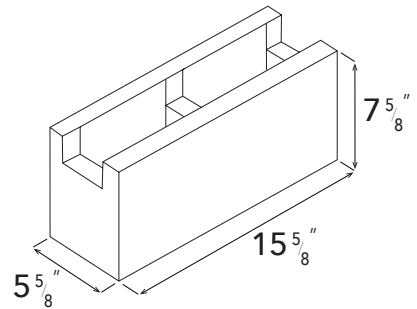
**6x8x16
Interlock Block**



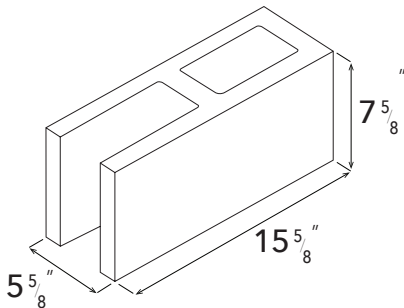
**6x8x8
Half Block**



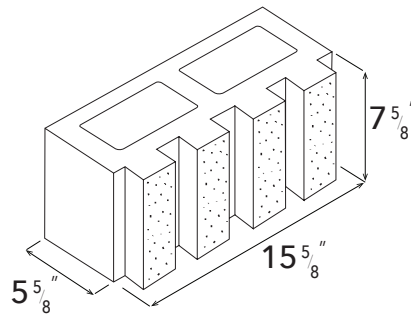
**6x8x16
Block**



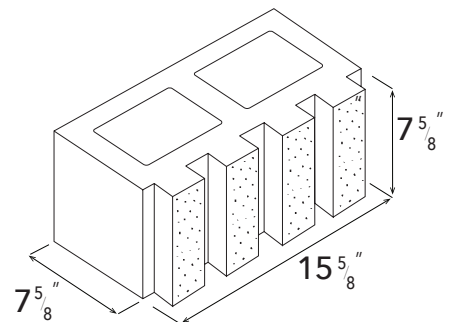
**6x8x16
Bond Beam
Block**



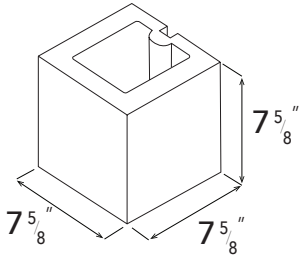
**6x8x16
Single Open End
Block**



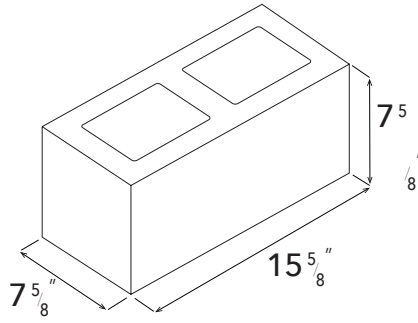
**6x8x16
Fluted Block**



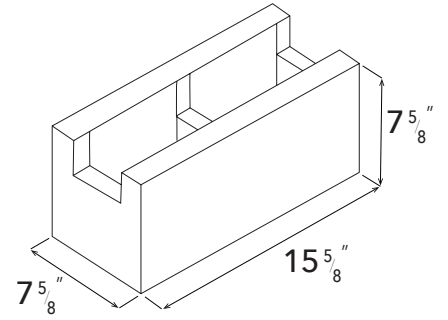
**8x8x16
Fluted Block**



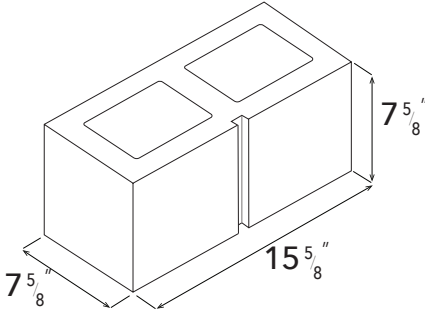
**8x8x8
Half Block**



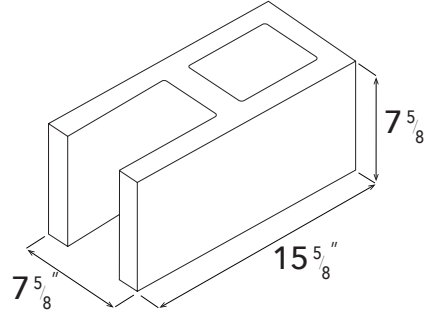
**8x8x16
Block**



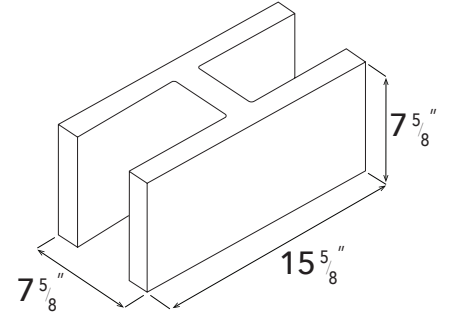
**8x8x16
Bond Beam Block**



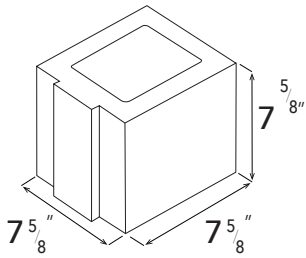
**8x8x16
Single Score Block**



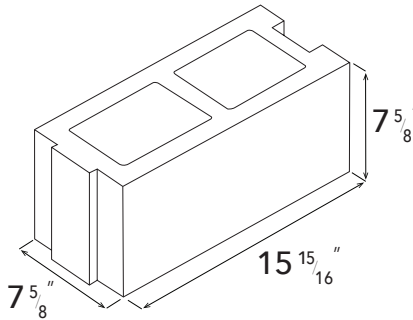
**8x8x16
Single Open End
Block**



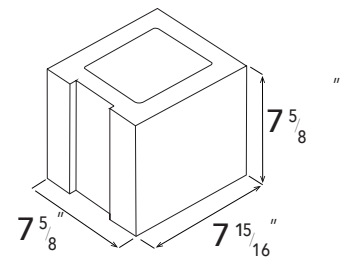
**8x8x16
Double Open End
Block**



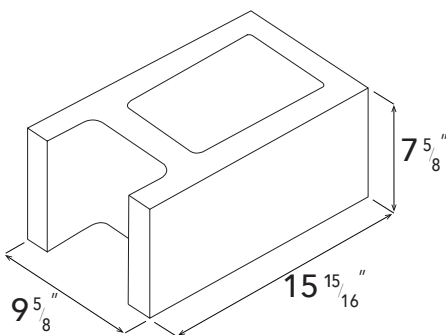
**8x8x8
Interlock Half
Male Block**



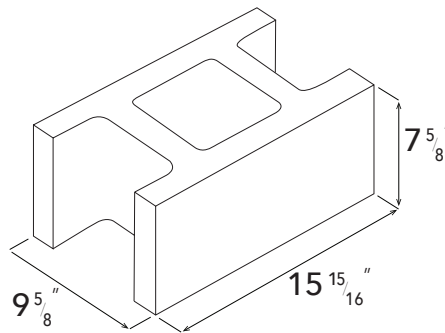
**8x8x16
Interlock
Block**



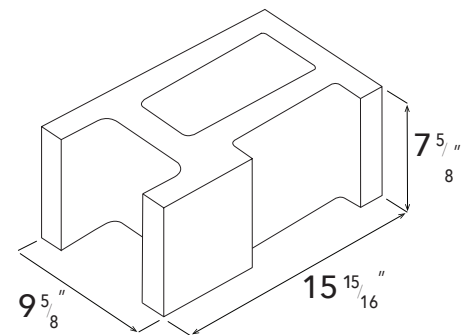
**8x8x8
Interlock Half
Female Block**



**10x8x16
A Block**

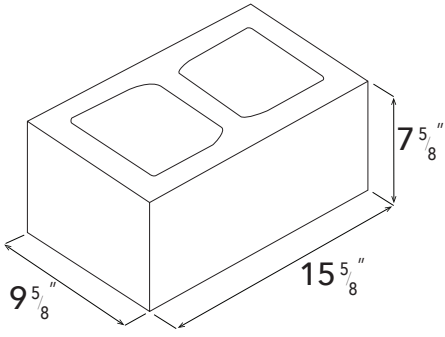


**10x8x16
H Block**

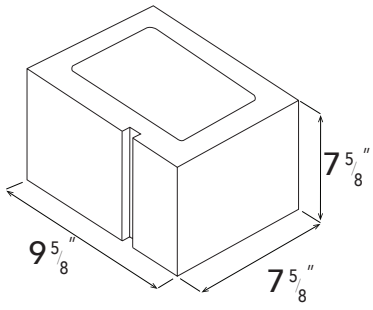


**10x8x16
L Block**

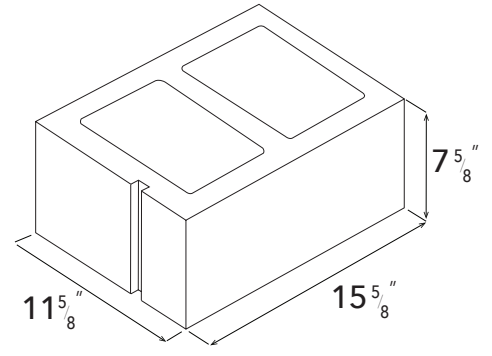
8" High



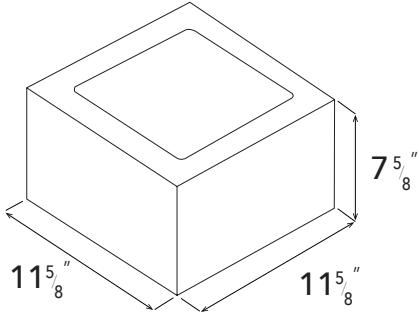
10x8x16
Block



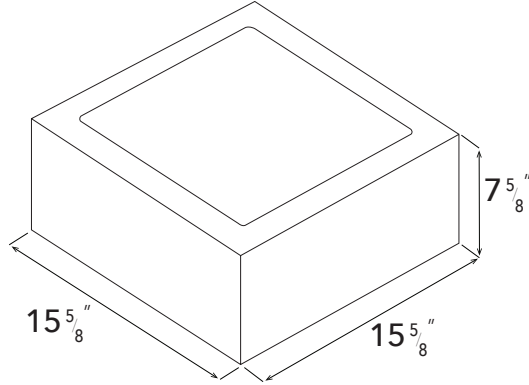
10x8x8
Half Block



12x8x16
Block

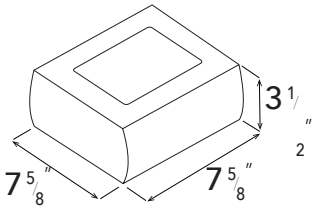


12x8x12
O Block

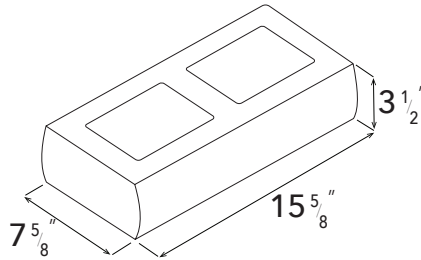


16x8x16
O Block

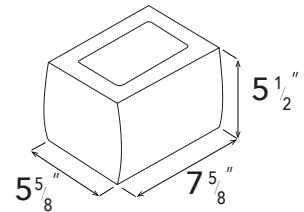
Slump Block



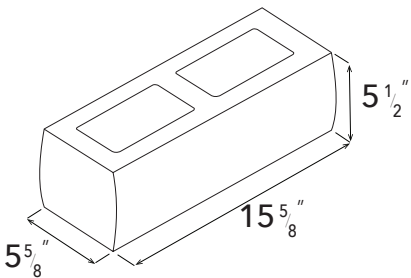
8x4x8
Half Slump



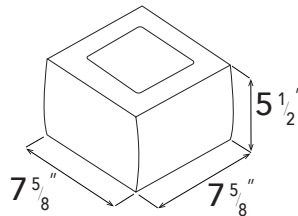
8x4x16
Slump



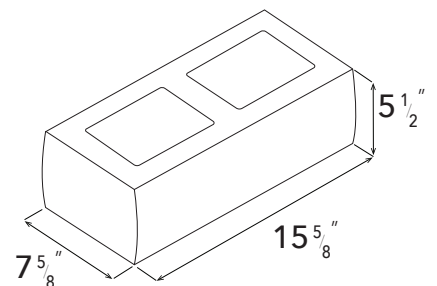
6x6x8
Half Slump



6x6x16
Slump



8x6x8
Half Slump



8x6x16
Slump